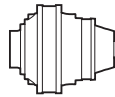


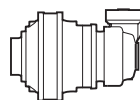
S1800



10000
HOURS LIFE

i _{eff}	n ₁ [rpm]									T _{2MAX} [Nm]	P _T [kW]
	1500			1000			500				
	n ₂ [rpm]	T ₂ [Nm]	P ₂ [kW]	n ₂ [rpm]	T ₂ [Nm]	P ₂ [kW]	n ₂ [rpm]	T ₂ [Nm]	P ₂ [kW]		
SL18001											
4.18							120	95462	1196	390000	
4.89	Consultare il Servizio Tecnico Brevini / Please consult Brevini						102	98212	1052	354000	
6.00							83	102096	891	284000	
SL18002											
17.47				57	111413	668	28.6	137165	411	390000	
20.44	Consultare il Servizio Tecnico Brevini			48.9	122520	628	24.5	148268	380	354000	75
23.91	Please consult Brevini			41.8	128424	562	20.9	149702	328	354000	
29.34				34.1	136553	487	17.0	151592	271	354000	
SL18003											
70.59	21.3	134034	298	14.2	151371	225	7.1	186360	138	390000	
82.58	18.2	154298	294	12.1	174257	221	6.1	191895	122	390000	
91.98	16.3	159208	272	10.9	179801	205	5.4	195050	111	390000	
104.7	14.3	162452	244	9.6	183464	184	4.8	198896	100	390000	
112.9	13.3	154324	215	8.9	158211	147	4.4	165083	77	390000	
122.6	12.2	168189	215	8.2	187096	160	4.1	203725	87	390000	54
143.5	10.5	156205	171	7.0	160139	117	3.5	173690	63	354000	
162.0	9.3	123329	120	6.2	126436	82	3.1	135546	43.8	284000	
184.6	8.1	159053	135	5.4	163058	93	2.7	170142	48.3	390000	
215.9	6.9	160172	117	4.6	166380	81	2.3	184770	44.8	354000	
SL18004											
288.0	5.2	196317	107	3.5	208734	76	1.7	231806	42.1	390000	
320.8	4.7	199545	98	3.1	212166	69	1.6	235618	38.5	390000	
365.0	4.1	203479	88	2.7	216349	62.1	1.4	240264	34.5	390000	
417.0	3.6	207622	78	2.4	219397	55.1	1.2	230314	28.9	390000	
464.5	3.2	211036	71	2.2	220853	49.8	1.1	234101	26.4	390000	
519.8	2.9	214655	65	1.9	228231	46.0	1.0	253460	25.5	390000	
571.4	2.6	217755	59.9	1.7	223678	41.0	0.87	241554	22.1	390000	
619.1	2.4	220407	55.9	1.6	234347	39.6	0.81	260252	22.0	390000	
725.5	2.1	225758	48.9	1.4	240038	34.7	0.69	265630	19.2	390000	
778.3	1.9	228172	46.1	1.3	242603	32.6	0.64	269421	18.1	390000	
912.1	1.6	233712	40.3	1.1	248494	28.5	0.55	269387	15.5	390000	38
1041	1.4	205734	31.0	1.0	210916	21.2	0.48	220078	11.1	390000	
1067	1.4	226703	33.4	0.94	239056	23.5	0.47	265481	13.0	390000	
1309	1.1	208643	25.0	0.76	213898	17.1	0.38	223190	8.9	390000	
1409	1.1	159231	17.7	0.71	169302	12.6	0.35	188017	7.0	284000	
1531	1.0	210444	21.6	0.65	223754	15.3	0.33	248487	8.5	354000	
1879	0.80	213738	17.9	0.53	227256	12.7	0.27	252377	7.0	354000	
2305	0.65	171533	11.7	0.43	182382	8.3	0.22	202542	4.6	284000	

10000
HOURS LIFE

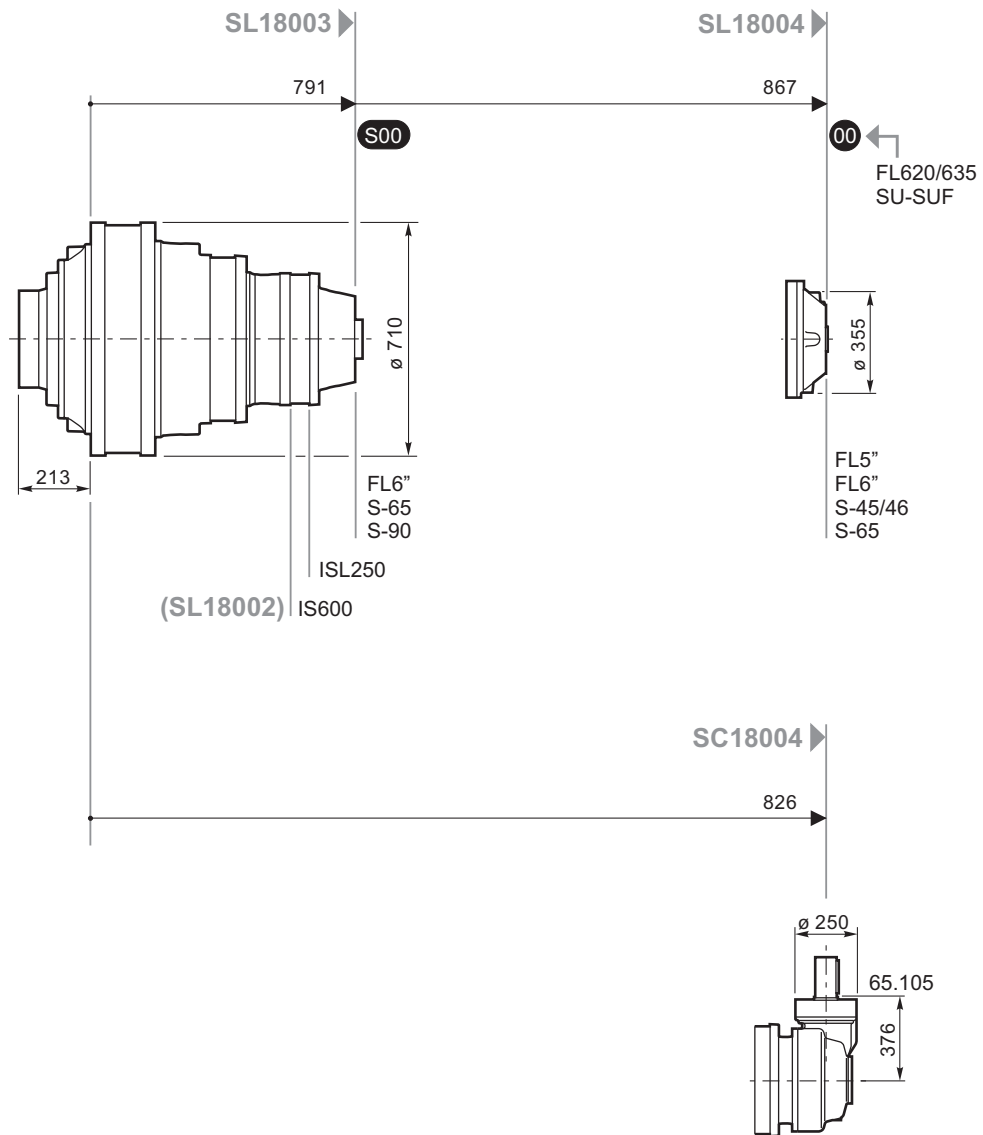
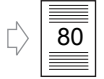
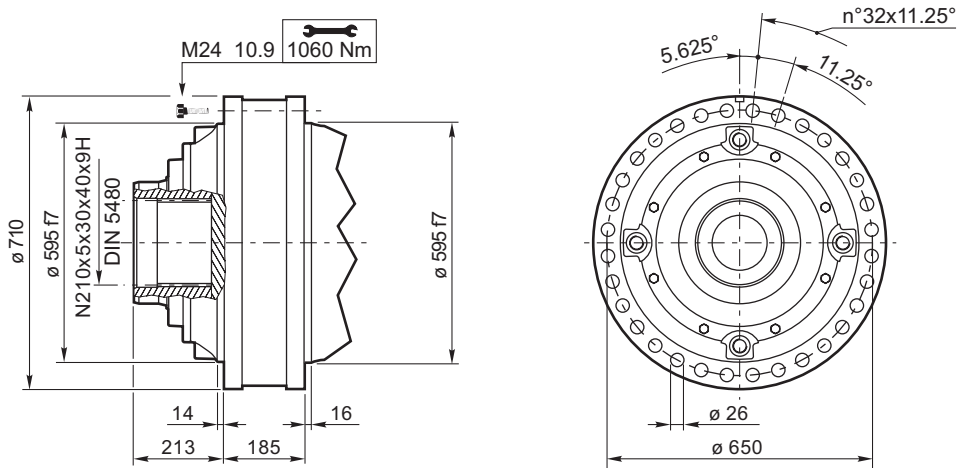


S1800

i _{eff}	n ₁ [rpm]									T _{2MAX} [Nm]	P _T [kW]
	1500			1000			500				
	n ₂ [rpm]	T ₂ [Nm]	P ₂ [kW]	n ₂ [rpm]	T ₂ [Nm]	P ₂ [kW]	n ₂ [rpm]	T ₂ [Nm]	P ₂ [kW]		

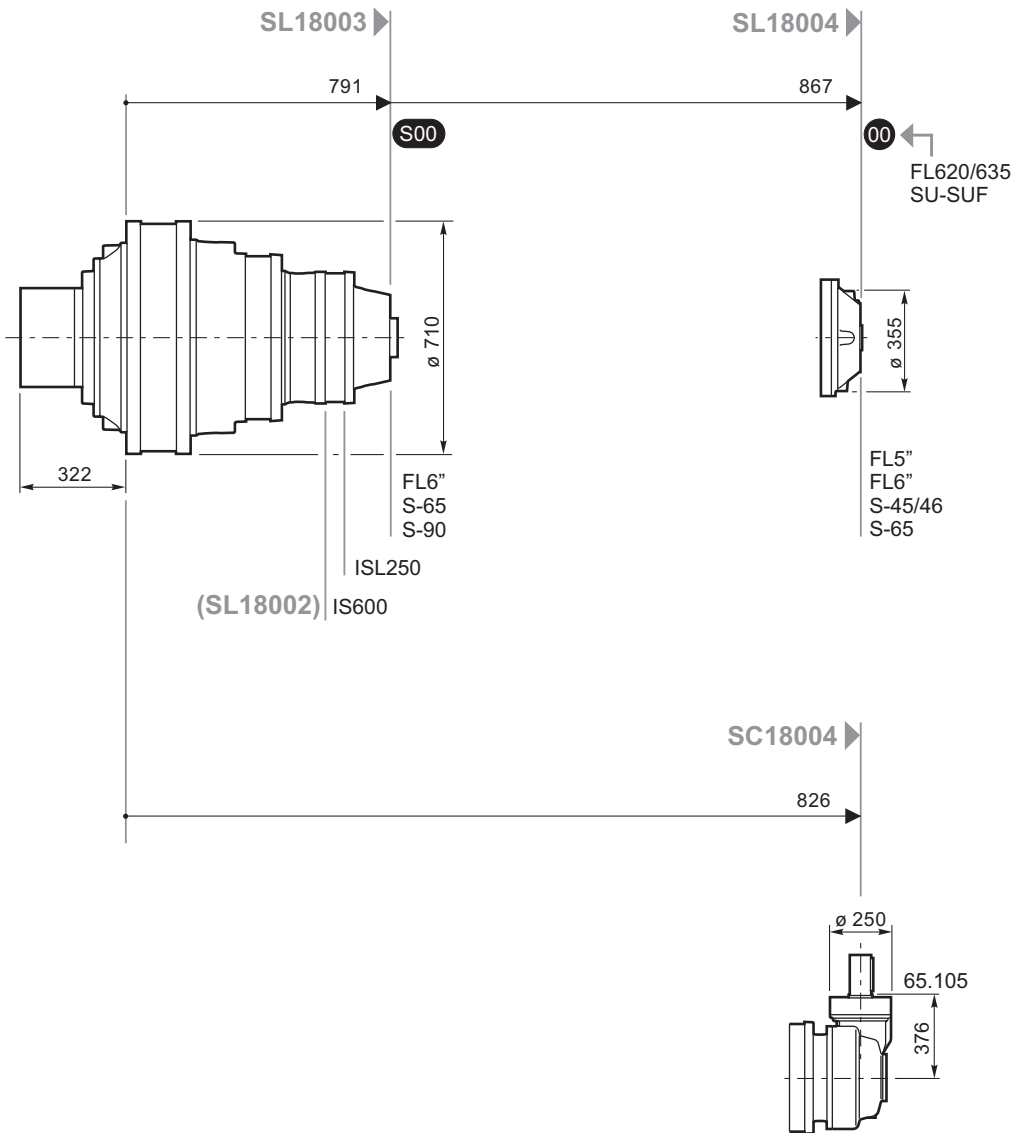
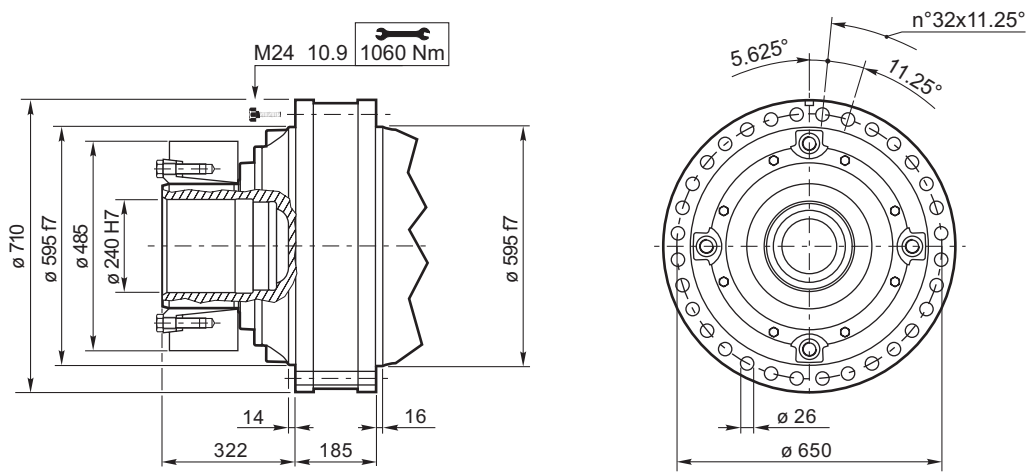
SC18004

179.3	8.4	146232	128	5.6	165146	96	2.8	203320	59	390000	30
206.1	7.3	180128	137	4.9	198435	101	2.4	220369	56	390000	
233.6	6.4	190201	128	4.3	202231	91	2.1	220933	49.5	390000	
261.2	5.7	191516	115	3.8	205674	82	1.9	228409	45.8	390000	
268.6	5.6	194255	114	3.7	206541	81	1.9	222831	43.4	390000	
311.5	4.8	198660	100	3.2	211226	71	1.6	224867	37.8	390000	
358.5	4.2	202930	89	2.8	215766	63	1.4	239615	35.0	390000	
358.5	4.2	202930	89	2.8	215766	63	1.4	239615	35.0	390000	
419.4	3.6	207804	78	2.4	219474	55	1.2	230515	28.8	390000	
439.3	3.4	195127	70	2.3	200042	47.7	1.1	208731	24.9	390000	
478.0	3.1	211956	70	2.1	225361	49.4	1.0	250273	27.4	390000	
559.2	2.7	217045	61	1.8	223382	41.8	0.89	240767	22.5	390000	
654.2	2.3	185046	44.4	1.5	196750	31.5	0.76	218498	17.5	354000	
686.0	2.2	200536	45.9	1.5	205587	31.4	0.73	214518	16.4	390000	
802.7	1.9	190861	37.3	1.2	202933	26.5	0.62	221918	14.5	354000	
984.7	1.5	196851	31.4	1.0	209302	22.3	0.51	228883	12.2	354000	
1208	1.2	155564	20.2	0.83	165404	14.3	0.41	183687	8.0	284000	



FL620/635 S-45/46
 FL5" S-65
 FL6" S-90
 SU-SUF ISL250
 IS600





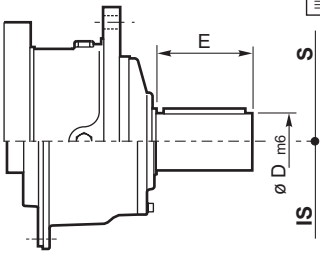
FL620/635 S-45/46
 FL5" S-65
 FL6" S-90
 SU-SUF ISL250
 IS600



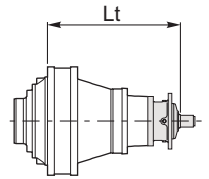
S1800

S-45/46, S-65, S-90, ISL250, IS600

84

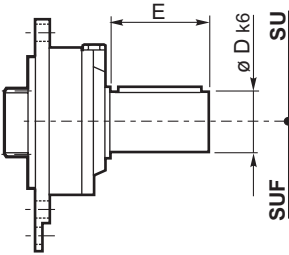


	S-45CR1	S-46C1	S-65CR1	S-90CR1	ISL250	IS600
D m6	65	65	80	90	90	110
E	105	105	130	170	130	210
Lt						
SL18002						805
SL18003			983.5	989.5	861	
SL18004	992	1033	1031			

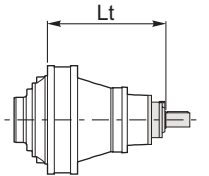


SU-SUF

85

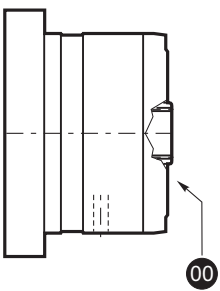


	SU/SUF.1	SU/SUF.2	SU/SUF.3
D k6	28	40	48
E	50	58	82
Lt			
SL18004	922	922	922

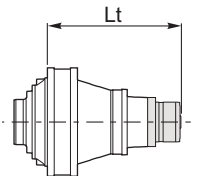


FL5", FL6"

87

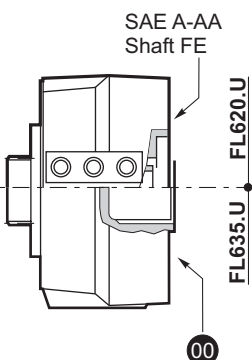


	FL250.4C FL250.6C	FL350.6C FL350.8C	FL450.6C FL450.8C	FL650.10C FL650.12C FL650.14C	FL750.10C FL750.12C FL750.14C	FL960.12C FL960.14C FL960.16C FL960.18C
Lt						
SL18003						911
SL18004	962	962	962	975.5	975.5	989.5



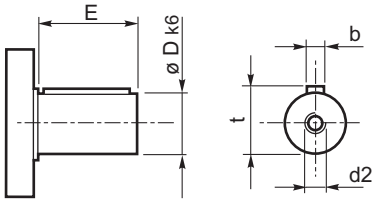
FL620/635

88

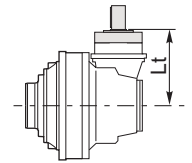


	FL620.U	FL635.U
Lt		
SL18004	966.5	953.5

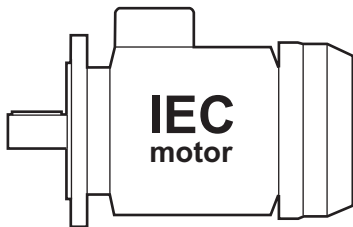
65.105



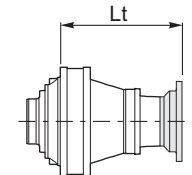
	65.105
D k6	65 m6
E	105
b	18
t	69
d2	M20x42
	Lt
SC18004	376



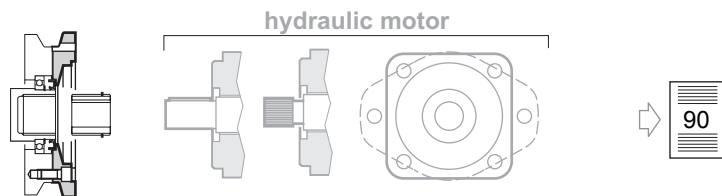
PAM IEC



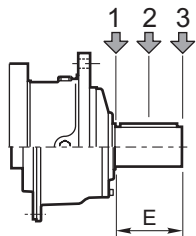
	IEC80-90	IEC100-112	IEC132	IEC160	IEC180	IEC200	IEC225
	Lt						
SL18004			957	962	962	1001	1029



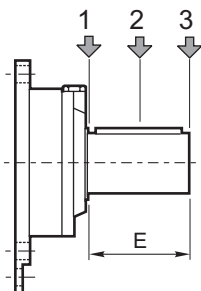
SAE J 744C, NEMA Adaptors



Carichi radiali sugli alberi entrata
Radial loads on input shafts



Type	E	Fr [N]					
		$n_1 \cdot h = 10^7$			$n_1 \cdot h = 10^8$		
		1	2	3	1	2	3
S-45CR1	105	10000	6000	4000	5000	3000	2000
S-46C1	105	14000	8800	6400	7000	4400	3200
S-65CR1	130	23800	15500	9600	11900	7800	4800
S-90CR1	170	29700	17000	10000	14800	8500	5000
ISL250	130	7631	4302	2995	3824	2156	1501
IS600	210	54366	36909	26346	27248	18498	13204



Type	E	Fr [N]					
		$n_1 \cdot h = 10^7$			$n_1 \cdot h = 10^8$		
		1	2	3	1	2	3
SU1/SUF1	50	3000	2000	1500	1400	1000	700
SU2/SUF2	58	3000	2000	1500	1400	1000	700
SU3/SUF3	82	3000	1700	1200	1400	800	600