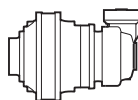


i _{eff}	n ₁ [rpm]									T _{2MAX} [Nm]	P _T [kW]	
	1500			1000			500					
	n ₂ [rpm]	T ₂ [Nm]	P ₂ [kW]	n ₂ [rpm]	T ₂ [Nm]	P ₂ [kW]	n ₂ [rpm]	T ₂ [Nm]	P ₂ [kW]			
SL6001												
4.18	Consultare il Servizio Tecnico			239	26654	668	120	32815	411	140000		
4.89	Brevini			204	27422	587	102	33761	361	120000		
6.00	Please consult Brevini			167	28506	498	83	35095	306	94000		
SL6002												
18.81	80	32558	272	53	36769	205	26.6	45268	126	140000	47	
19.76	76	36914	294	51	41689	221	25.3	49588	131	120000		
22.01	68	38088	272	45.4	43015	205	22.7	49917	119	120000		
25.04	60	38864	244	39.9	43891	184	20.0	50314	105	120000		
29.34	51	40237	215	34.1	45441	162	17.0	50806	91	120000		
30.72	48.8	37213	190	32.6	38150	130	16.3	39808	68	94000		
35.99	41.7	38902	170	27.8	43934	128	13.9	46759	68	120000		
44.16	34.0	38051	135	22.6	39009	93	11.3	40704	48.3	94000		
SL6003												
68.90	21.8	48892	111	14.5	55216	84	7.3	63350	48.1	140000	31	
80.60	18.6	50532	98	12.4	51805	67	6.2	54055	35.1	120000		
89.78	16.7	50868	89	11.1	52149	61	5.6	54414	31.7	120000		
98.12	15.3	52731	84	10.2	59552	64	5.1	66217	35.3	140000		
109.3	13.7	55196	79	9.2	62336	60	4.6	67306	32.2	140000		
130.2	11.5	58169	70	7.7	63129	51	3.8	69109	27.8	140000		
145.7	10.3	58310	63	6.9	60253	43.3	3.4	62870	22.6	140000		
163.6	9.2	62304	60	6.1	64423	41.2	3.1	69840	22.3	140000		
186.2	8.1	62946	53	5.4	65693	36.9	2.7	72955	20.5	140000		
203.0	7.4	53479	41.4	4.9	55244	28.5	2.5	61351	15.8	120000		
218.2	6.9	60246	43.4	4.6	61764	29.6	2.3	64447	15.5	140000		
SL6004												
241.1	6.2	64250	41.9	4.1	68314	29.7	2.1	75865	16.5	140000		21
284.6	5.3	65879	36.4	3.5	70046	25.8	1.8	77788	14.3	140000		
317.0	4.7	66962	33.2	3.2	71198	23.5	1.6	79068	13.1	140000		
360.6	4.2	68282	29.7	2.8	72601	21.1	1.4	80626	11.7	140000		
413.4	3.6	69708	26.5	2.4	74117	18.8	1.2	82309	10.4	140000		
460.5	3.3	70854	24.2	2.2	75335	17.1	1.1	83663	9.5	140000		
523.9	2.9	72251	21.7	1.9	76821	15.4	1.0	85312	8.5	140000		
569.9	2.6	73177	20.2	1.8	77806	14.3	0.88	86406	7.9	140000		
655.7	2.3	74745	17.9	1.5	79473	12.7	0.76	88258	7.0	140000		
711.3	2.1	75672	16.7	1.4	80458	11.8	0.70	89351	6.6	140000		
792.3	1.9	76916	15.2	1.3	81781	10.8	0.63	90821	6.0	140000		
943.7	1.6	78977	13.1	1.1	83972	9.3	0.53	93254	5.2	140000		
962.6	1.6	79215	12.9	1.0	84225	9.2	0.52	87889	4.8	140000		
1117	1.3	81019	11.4	0.90	85003	8.0	0.45	88695	4.2	140000		
1307	1.1	68861	8.3	0.77	73216	5.9	0.38	81309	3.3	120000		
1350	1.1	83371	9.7	0.74	85995	6.7	0.37	89731	3.5	140000		
1579	0.95	70860	7.0	0.63	75342	5.0	0.32	83670	2.8	120000		
1851	0.81	72581	6.2	0.54	77172	4.4	0.27	85702	2.4	120000		
1986	0.76	56039	4.4	0.50	59584	3.1	0.25	66170	1.7	94000		
2270	0.66	57916	4.0	0.44	61579	2.8	0.22	68386	1.6	120000		
2785	0.54	58980	3.3	0.36	62710	2.4	0.18	69642	1.3	94000		

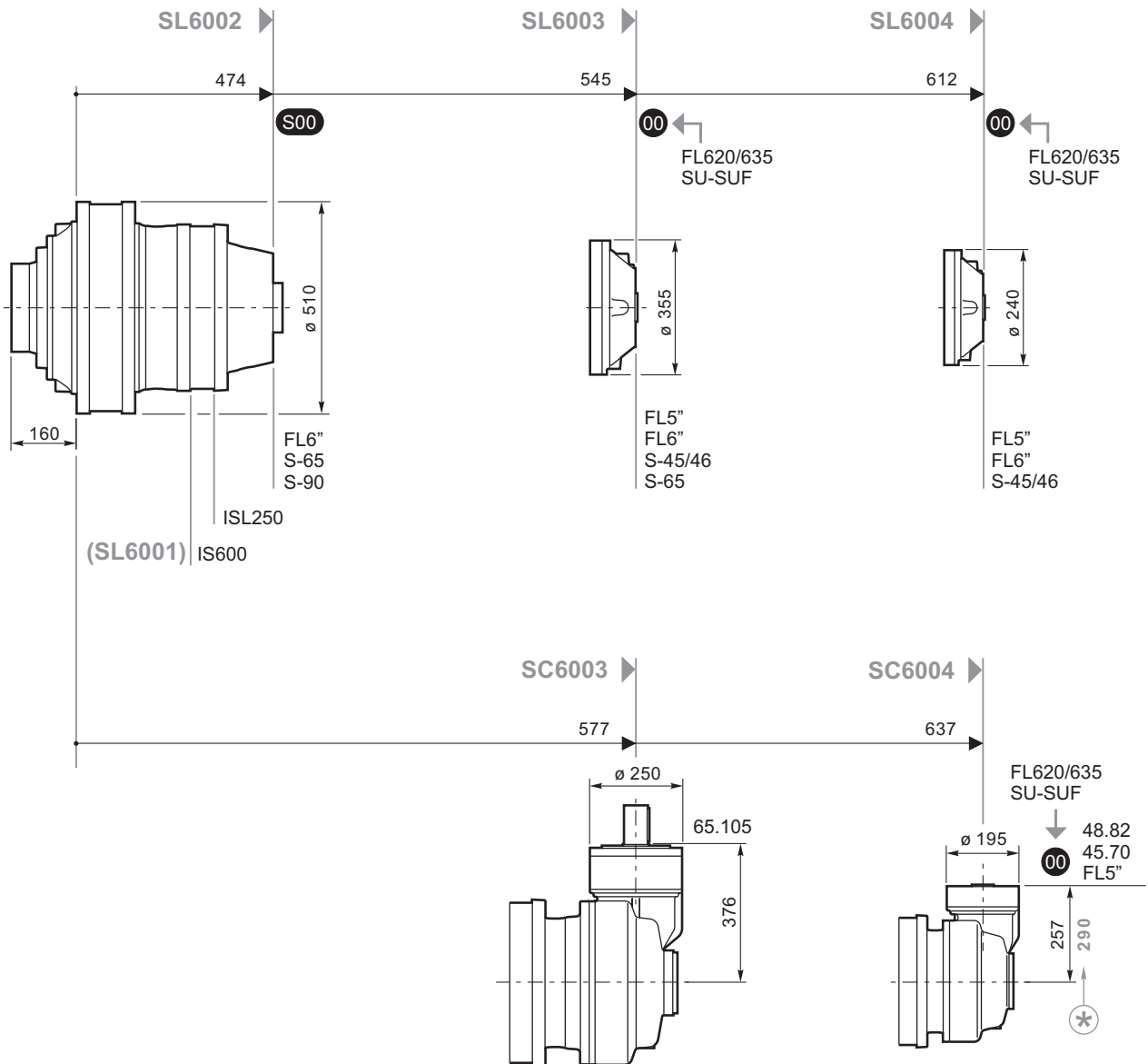
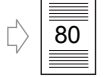
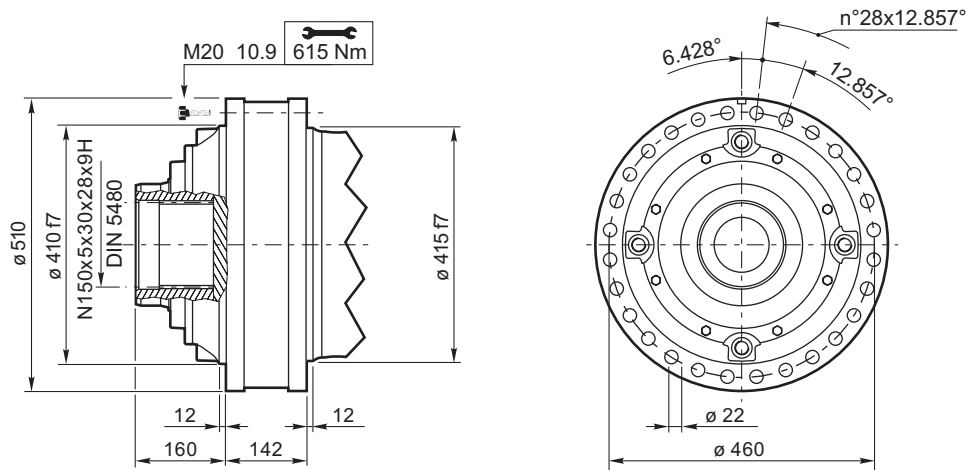
10000
HOURS LIFE



S600

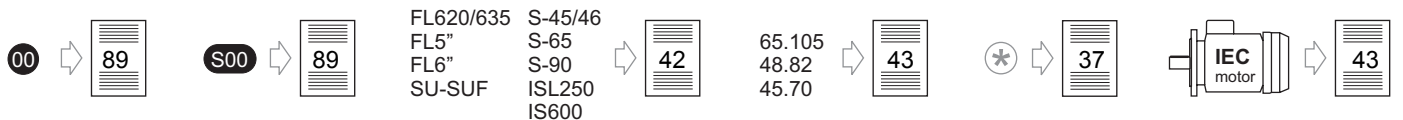
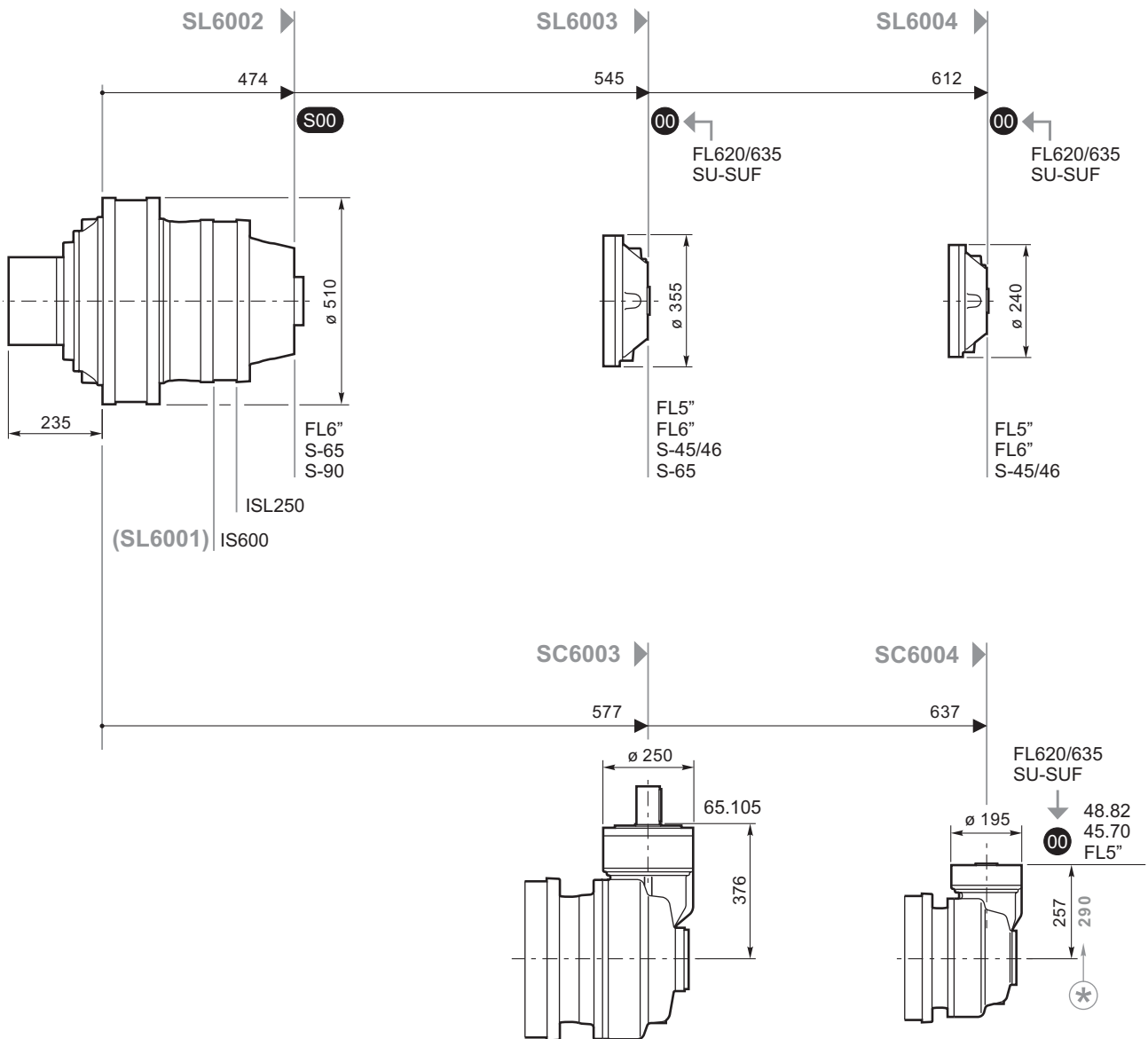
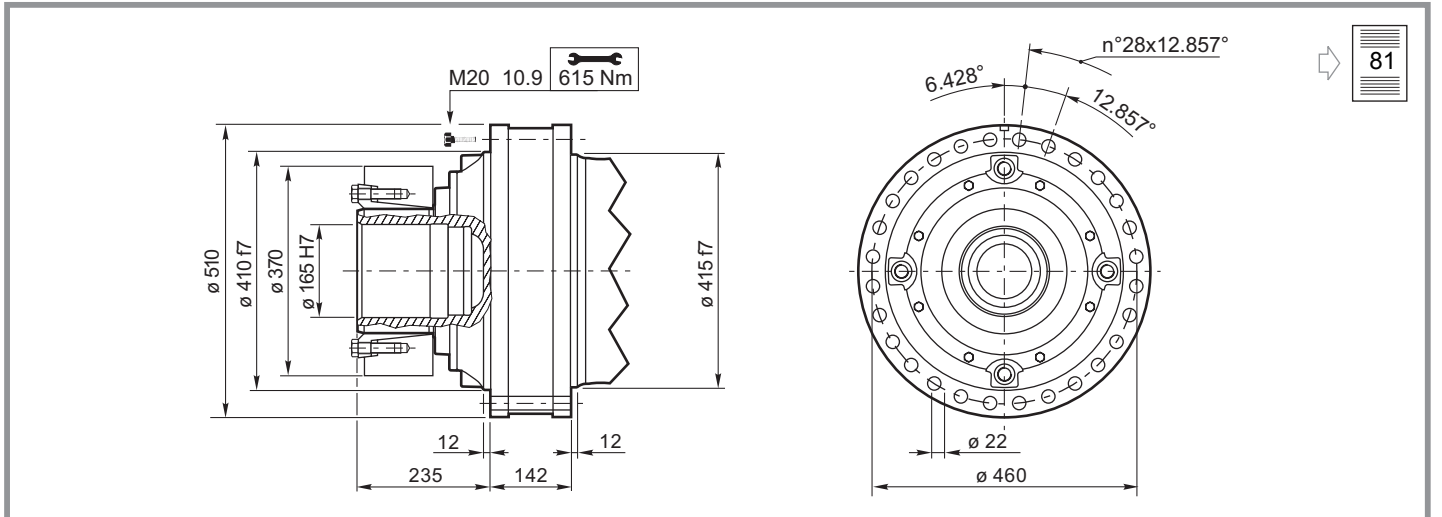
i _{eff}	n ₁ [rpm]									T _{2MAX} [Nm]	P _T [kW]	
	1500			1000			500					
	n ₂ [rpm]	T ₂ [Nm]	P ₂ [kW]	n ₂ [rpm]	T ₂ [Nm]	P ₂ [kW]	n ₂ [rpm]	T ₂ [Nm]	P ₂ [kW]			
SC6003												
42.89	35.0	34984	128	23.3	39509	96	11.7	48641	59	140000	22	
49.31	30.4	43093	137	20.3	48667	103	10.1	59916	64	140000		
57.69	26.0	49506	135	17.3	50753	92	8.7	52957	48.1	120000		
64.26	23.3	49834	122	15.6	51090	83	7.8	53309	43.4	120000		
74.52	20.1	50290	106	13.4	51556	72	6.7	53796	37.8	120000		
74.52	20.1	50290	106	13.4	51556	72	6.7	53796	37.8	120000		
77.01	19.5	44892	92	13.0	50699	69	6.5	62418	42.4	140000		
90.09	16.7	50878	89	11.1	52160	61	5.6	54425	31.6	120000		
97.59	15.4	52373	84	10.2	59147	63	5.1	66163	35.5	140000		
114.4	13.1	54222	74	8.7	59364	54	4.4	61943	28.4	140000		
128.9	11.6	40636	49.5	7.8	41660	33.8	3.9	43755	17.8	94000		
133.8	11.2	52128	61	7.5	53441	41.8	3.7	57600	22.5	120000		
164.1	9.1	47975	45.9	6.1	49184	31.4	3.0	51320	16.4	120000		
201.4	7.4	41763	32.6	5.0	42815	22.3	2.5	46806	12.2	94000		
SC6004												
234.5*	6.4	63980	42.9	4.3	68026	30.4	2.1	75546	16.9	140000		17
261.2*	5.7	65032	39.1	3.8	69145	27.7	1.9	76788	15.4	140000		
269.8*	5.6	65351	38.0	3.7	69484	27.0	1.9	77165	15.0	140000		
321.4*	4.7	67102	32.8	3.1	71347	23.2	1.6	79233	12.9	140000		
358.0*	4.2	68206	29.9	2.8	72520	21.2	1.4	80536	11.8	140000		
409.0	3.7	69595	26.7	2.4	73997	18.9	1.2	82177	10.5	140000		
462.6	3.2	70904	24.1	2.2	75388	17.1	1.1	83721	9.5	140000		
518.3	2.9	72134	21.9	1.9	76697	15.5	0.96	85175	8.6	140000		
569.1	2.6	73161	20.2	1.8	77788	14.3	0.88	86387	7.9	140000		
651.7	2.3	74676	18.0	1.5	79399	12.8	0.77	85810	6.9	140000		
721.2	2.1	75830	16.5	1.4	80626	11.7	0.69	89538	6.5	140000		
797.0	1.9	71947	14.2	1.3	73759	9.7	0.63	76963	5.1	140000		
906.8	1.7	78502	13.6	1.1	83467	9.6	0.55	87567	5.1	140000		
988.8	1.5	66015	10.5	1.0	70191	7.4	0.51	77950	4.1	120000		
1096	1.4	53902	7.7	0.91	55260	5.3	0.46	61253	2.9	120000		
1243	1.2	68341	8.6	0.80	72664	6.1	0.40	80696	3.4	120000		
1345	1.1	52828	6.2	0.74	56170	4.4	0.37	62379	2.4	94000		
1525	0.98	55006	5.7	0.66	57982	4.0	0.33	64391	2.2	120000		
1871	0.80	55535	4.7	0.53	59048	3.3	0.27	65574	1.8	94000		

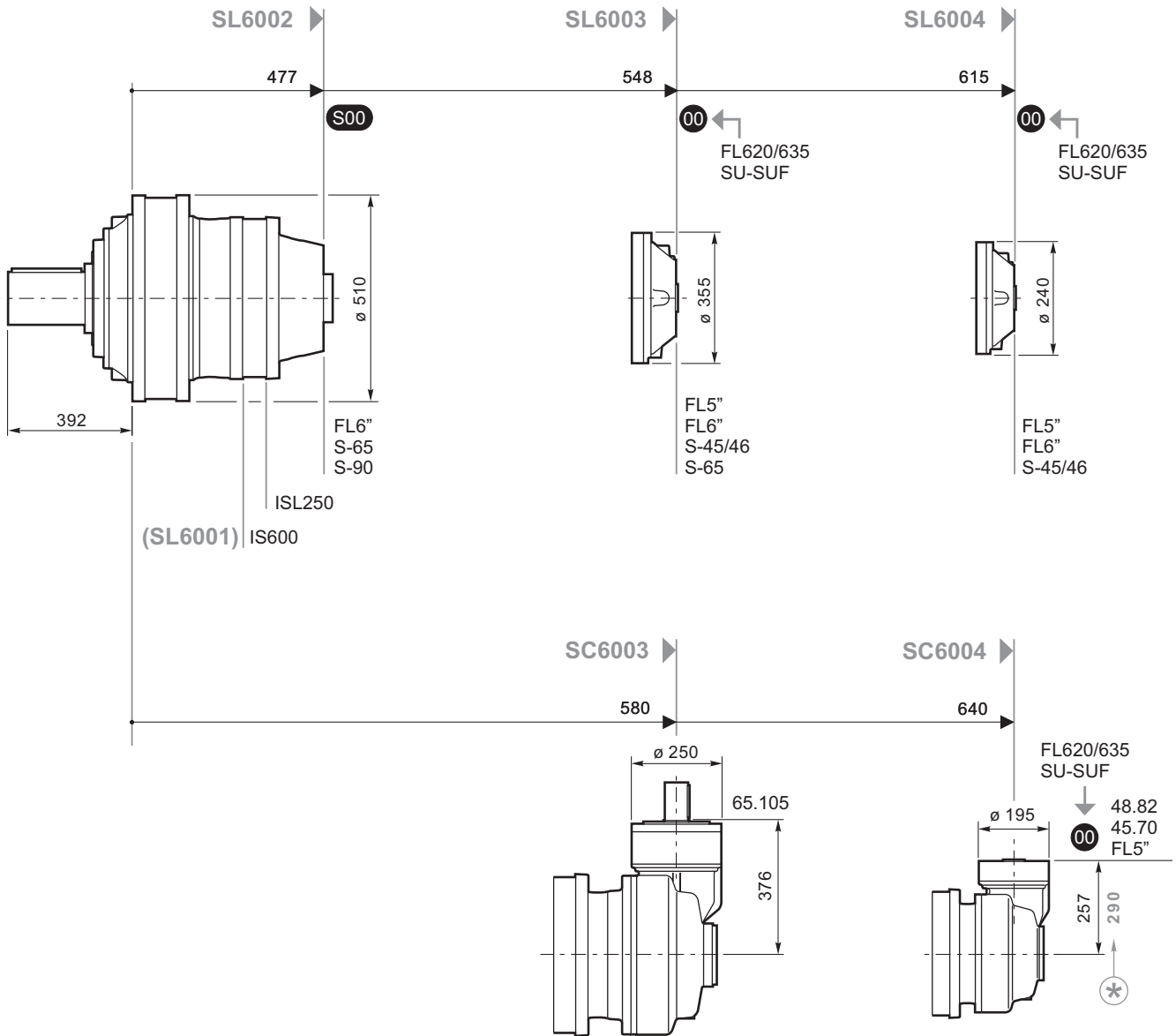
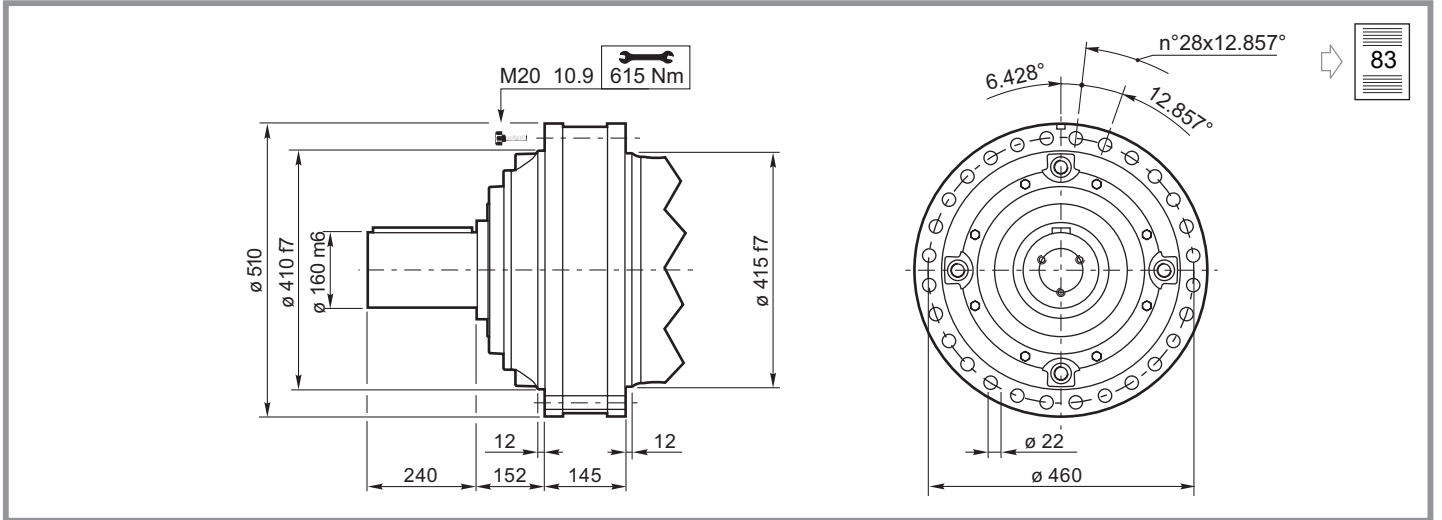




FL620/635 S-45/46
 FL5" S-65
 FL6" S-90
 SU-SUF ISL250
 IS600





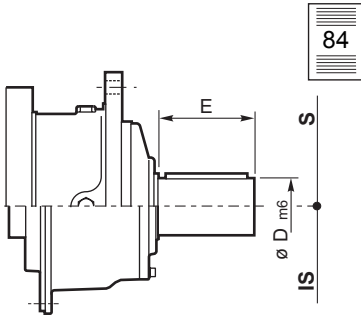


FL620/635 S-45/46
 FL5" S-65
 FL6" S-90
 SU-SUF ISL250 IS600



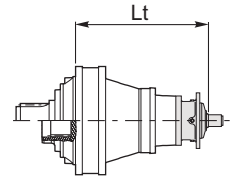
S600

S-45/46, S-65, S-90, ISL250, IS600

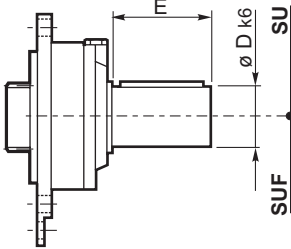


84

	S-45CR1	S-46C1	S-65CR1	S-90CR1	ISL250	IS600
D m6	65	65	80	90	90	110
E	105	105	130	170	130	210
Lt (FE - FS)						
SL6001						488
SL6002			666.5	672.5	544	
SL6003	675	716	714			
SL6004	675	716				
Lt (MP - MP1)						
SL6001						491
SL6002			669.5	675.5	547	
SL6003	678	719	717			
SL6004	678	719				

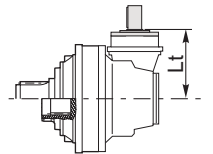
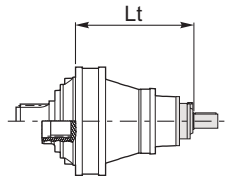


SU-SUF



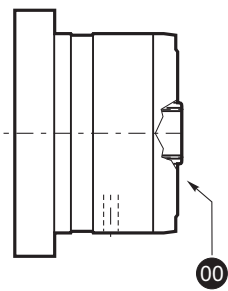
85

	SU/SUF.1	SU/SUF.2	SU/SUF.3
D k6	28	40	48
E	50	58	82
Lt (FE - FS)			
SL6003	605	605	605
SL6004	672	672	672
Lt (MP - MP1)			
SL6003	608	608	608
SL6004	675	675	675
Lt			
SC6004	317-350*	317-350*	317-350*



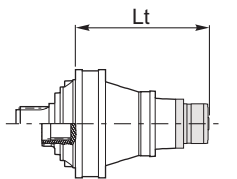
* → 37

FL5", FL6"



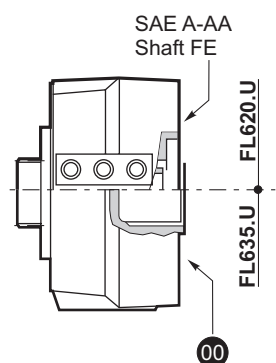
87

	FL250.4C FL250.6C	FL350.6C FL350.8C	FL450.6C FL450.8C	FL650.10C FL650.12C FL650.14C	FL750.10C FL750.12C FL750.14C	FL960.12C FL960.14C FL960.16C FL960.18C
Lt (FE - FS)						
SL6002						594
SL6003	645	645	645	658.5	658.5	672.5
SL6004	705.5	705.5	705.5	719	719	746
Lt (MP - MP1)						
SL6002						597
SL6003	648	648	648	661.5	661.5	675.5
SL6004	708.5	708.5	708.5	722	722	749
Lt						
SC6004	408.5-441.5*	408.5-441.5*	408.5-441.5*	422-455*	422-455*	



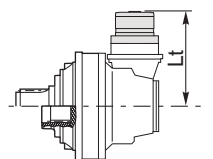
* → 37

FL620/635

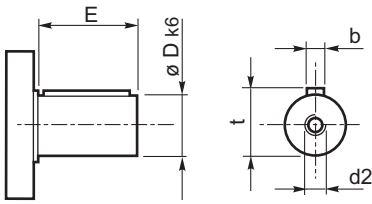


88

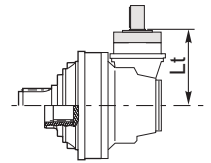
	FL620.U	FL635.U
Lt (FE - FS)		
SL6003	649.5	636.5
SL6004	716.5	703.5
Lt (MP - MP1)		
SL6003	652.5	639.5
SL6004	719.5	706.5
Lt		
SC6004	361.5-394.5*	348.5-381.5



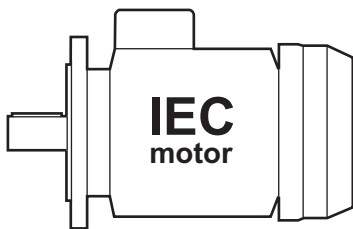
65.105, 48.82, 45.70



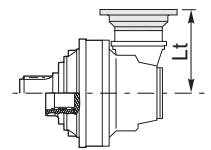
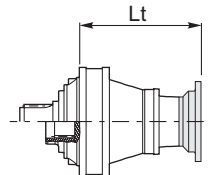
	65.105	48.82	45.70
D k6	65 m6	48	45
E	105	82	70
b	18	14	14
t	69	51.5	48.5
d2	M20x42	M10x22	M10x22
	Lt		
SC6003	376		
SC6004		317	307



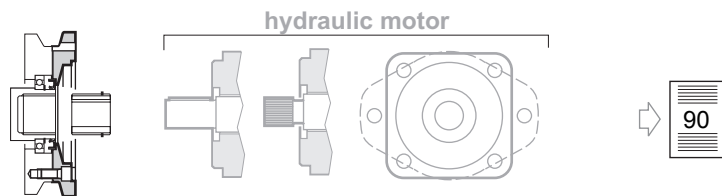
PAM IEC



	IEC80-90	IEC100-112	IEC132	IEC160	IEC180	IEC200	IEC225
	Lt (FE - FS)						
SL6003				645	645	684	712
SL6004	640	707		738	738	748	778
	Lt (MP - MP1)						
SL6003				648	648	687	715
SL6004	643	710	741	741	741	751	781
	Lt						
SC6004	285-318*	352-385*	383-416*	383-416*	394-427*	424-457*	

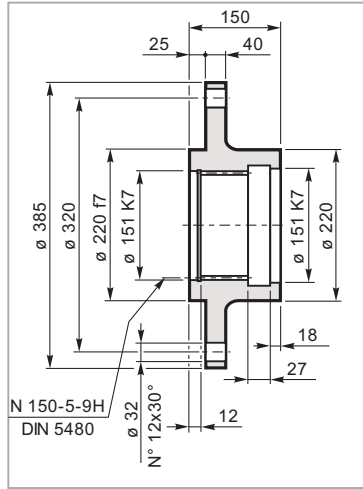


SAE J 744C, NEMA Adaptors



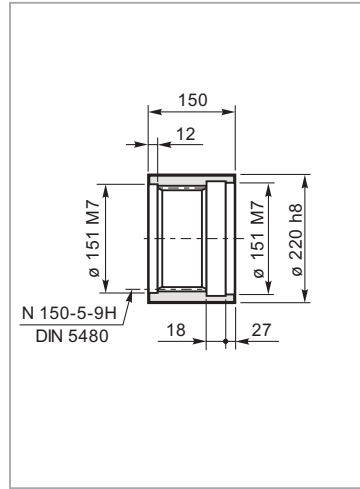
S600

FR 600



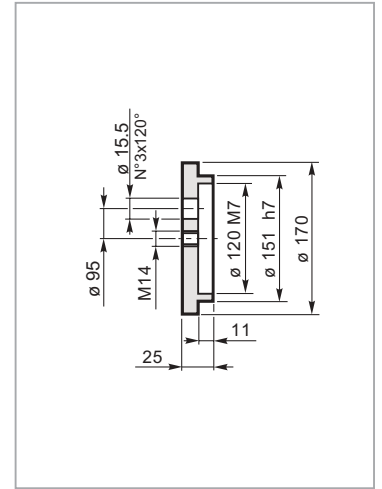
Mat. C40 UNI EN 10083
Code: 34705012800

MS 600



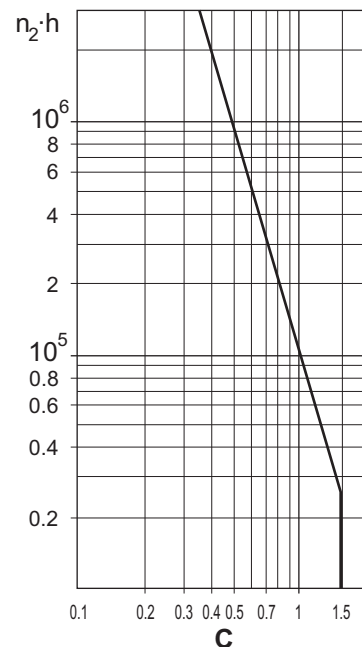
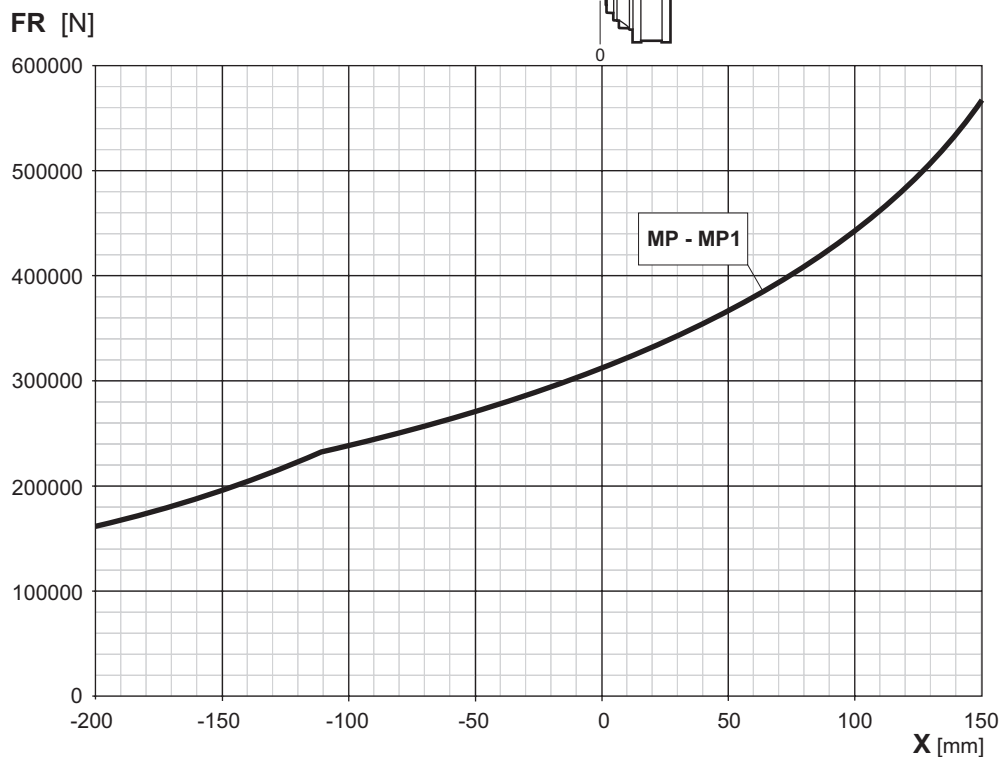
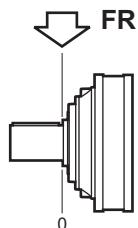
Mat. 39NiCrMo3 UNI EN 10083
Code: 39104730800

RDF S600

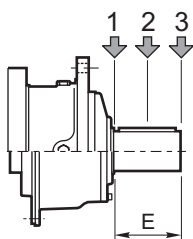


Mat. C40 UNI EN 10083
Code: 9001845

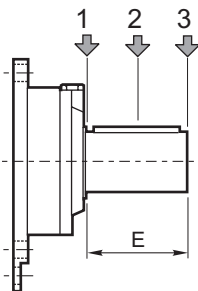
Carichi radiali sugli alberi uscita
Radial loads on output shafts



Carichi radiali sugli alberi entrata
Radial loads on input shafts



Type	E	Fr [N]					
		$n_1 \cdot h = 10^7$			$n_1 \cdot h = 10^8$		
		1	2	3	1	2	3
S-45CR1	105	10000	6000	4000	5000	3000	2000
S-46C1	105	14000	8800	6400	7000	4400	3200
S-65CR1	130	23800	15500	9600	11900	7800	4800
S-90CR1	170	29700	17000	10000	14800	8500	5000
ISL250	130	7631	4302	2995	3824	2156	1501
IS600	210	54366	36909	26346	27248	18498	13204



Type	E	Fr [N]					
		$n_1 \cdot h = 10^7$			$n_1 \cdot h = 10^8$		
		1	2	3	1	2	3
SU1/SUF1	50	3000	2000	1500	1400	1000	700
SU2/SUF2	58	3000	2000	1500	1400	1000	700
SU3/SUF3	82	3000	1700	1200	1400	800	600