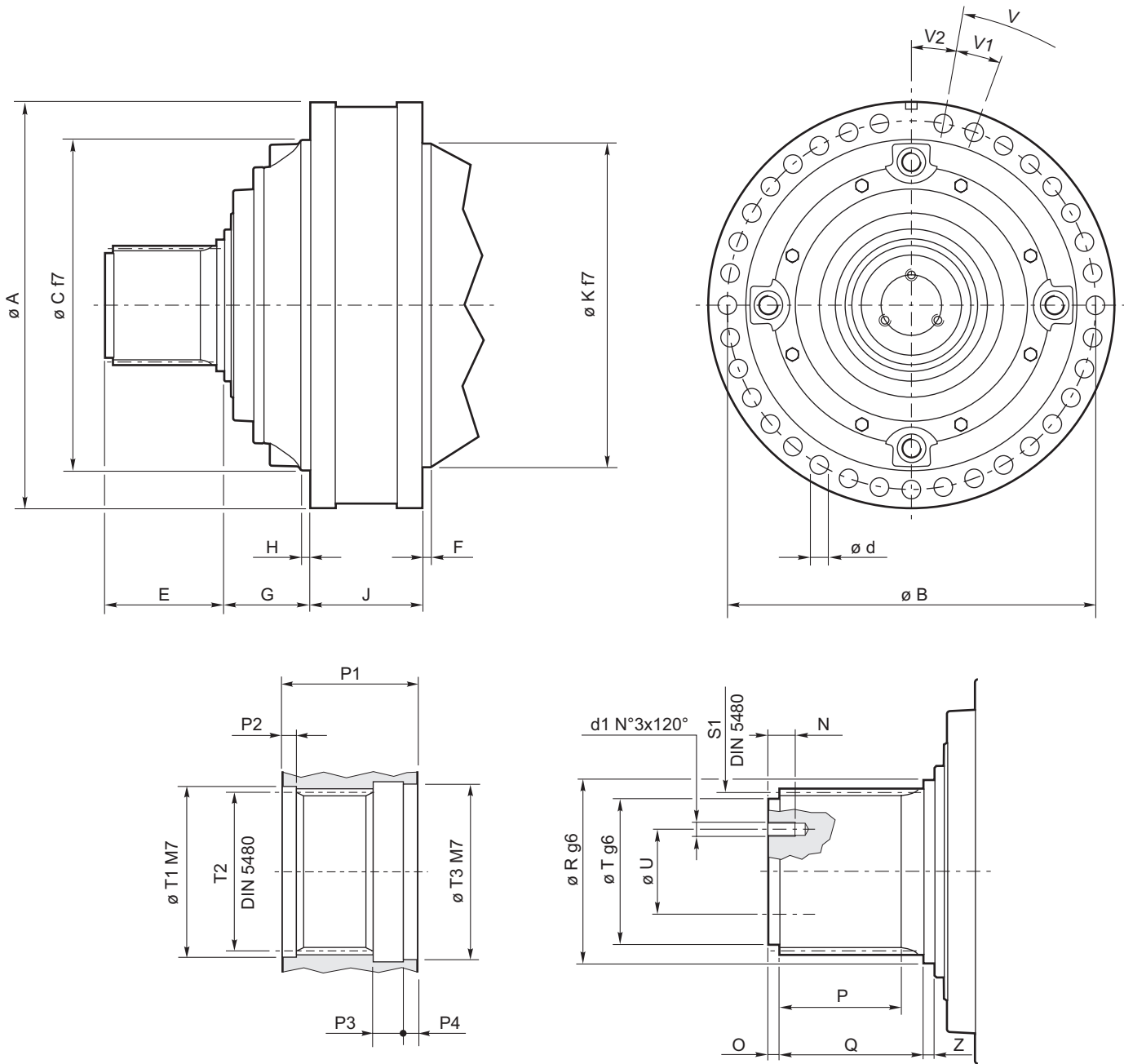


# MP Uscita maschio scanalato

## Splined male output



	A	B	C	d	d1	E	F	G	H	J	K	N	O	P
<b>S300</b>	445	400	370	15.5	M14	130	12	117	10	132	365	27	10	85
<b>S400</b>	445	400	370	15.5	M14	140	12	145	10	124	365	27	13	90
<b>S600</b>	510	460	410	22	M14	150	12	152	12	145	415	27	12	95
<b>S850</b>	565	510	460	26	M14	170	10	163	11	156	450	27	15	115

	P1	P2	P3	P4	Q	R	S1	T	T1	T2	T3	U	V	V1	V2	Z
<b>S300</b>	130	10	15	21	105	120	W120x3x30x38x8f	100	121	N120x3x9H	120	75	n°35x10°	10°	10°	15
<b>S400</b>	130	10	15	21	109	130	W130x3x30x42x8f	110	121	N120x3x9H	120	85	n°35x10°	10°	10°	18
<b>S600</b>	150	12	18	27	123	151	W150x5x30x28x8f	120	151	N150x5x9H	151	95	n°28x12.857°	12.857°	6.428°	15
<b>S850</b>	170	15	17	25	140	171	W170x5x30x32x8f	140	171	N170x5x9H	171	112	n°28x12.857°	12.857°	6.428°	15